



## HP Designjet 4520 Printer series



### Ideal for color production and unattended printing

#### Unattended color production at low cost

- Take advantage of unattended color printing with two long media rolls up to 575 ft (175 meters) and reliable 775-ml black, 400-ml color Original HP ink cartridges.
- Double your print capacity and truly maximize productivity with HP Double Swath technology and 160 GB hard disk.
- Experience greater cost efficiency with free HP support, HP supplies that deliver a better value, and finishing options that save time and money.

#### Provides great possibilities to grow your business

- Experience more possibilities to increase your personal productivity with the HP Instant Printing Utility 2.0, HP Embedded Web Server, and the optional Serif PosterDesigner Pro for HP<sup>(1)</sup>.
- Turn your HP Designjet into a print workflow management system with optional stacker and SCP reprocontrol for HP<sup>(2)</sup>.
- Produce excellent lines and images with patented HP inks, printheads enabling 0.1% line accuracy<sup>(3)</sup>, and HP Professional Color technologies.
- Expand your business with high performance copy and scan capabilities<sup>(4)</sup>.
- Choose from a broad portfolio of over 35 Original HP media for high-quality results from CAD drawings and renders to presentations and posters.

#### Trusted integration in your IT environment

- Trusted connectivity and security-with built-in Gigabit Ethernet networking, advanced access control and optional HP Jetdirect support for secure IPsec and IPv6<sup>(5)</sup>. A Linux PS driver offers additional support for Linux users<sup>(6)</sup>.
- Manage your HP Designjet, fleet of devices, and your costs with HP Web Jetadmin and the embedded Web server.
- Experience true peace of mind with a printer and printing supplies you know you can trust—from a company with years of experience and expertise.



(1) Serif PosterDesigner Pro for HP is an optional feature. Not included, sold separately.

(2) SCP reprocontrol for HP is an optional feature. Not included, sold separately.

(3) +/-0.1% of the specified vector length or +/-0.1 mm (whichever greater) at 73° F (23° C), 50-60% relative humidity, on E/AO printing material in Best or Normal mode with HP Matte Film.

(4) The HP Designjet 4520 Scanner comes standard on the HP Designjet 4520 HD-MFP. It is an optional (not included, sold separately) accessory on the HP Designjet 4520 and 4520ps printers.

(5) IPsec and IPv6 support requires the purchase of the HP Jetdirect 630n or HP Jetdirect 635n.

(6) Available on the HP Designjet 4520ps Printer and HP Designjet 4520 HD-MFP only. Support in English only.

For High  
Production  
environment

100  
D/A1  
prints per hour

775-ml black,  
400-ml color  
cartridges

160 GB  
hard disk

Optional  
PostScript

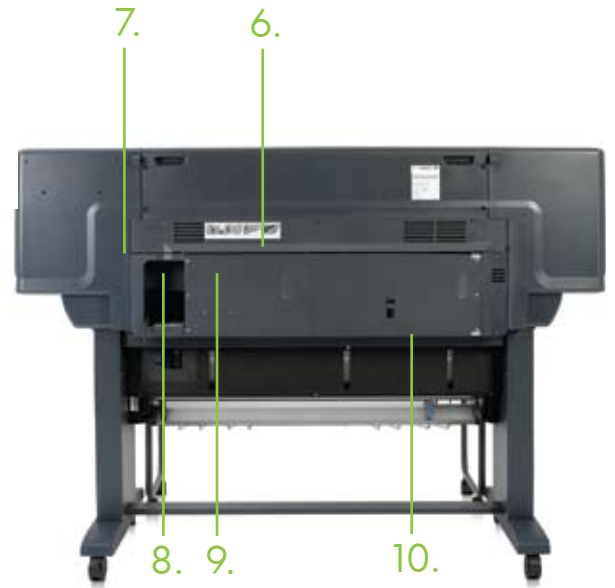
SCP  
reprocontrol  
for HP

2  
rolls

Scanning/  
Copying  
capabilities

# HP Designjet 4520 Printer series

1. Ink cartridge of 225 and 400-ml for CMY, and 400 and 775-ml for K.
2. Accommodates 2 media rolls with long roll support up to 575 ft (175 m)
3. Front panel with user-friendly animations.
4. Color consistency and screen-to-print matching with HP Professional Color technologies.
5. Pairs of staggered printheads in the carriage mean the HP Designjet 4520 Printer series has double the print capacity of earlier models<sup>7</sup>.
6. HP Embedded Web Server for driverless file submission, queue management, preview, supplies and printer status, and error notification.
7. HP Embedded Jetdirect Gigabit Ethernet print server (1000Base-T) + 2 FireWire (IEEE-1394a compliant) ports.
8. EIO port for optional Jetdirect cards.
9. Embedded processor for simultaneous printing and processing. 160 GB hard disk and 608 MB standard memory—upgradeable to 1120 MB.
10. Equipped with a standard bin that holds 25 D (A1) prints. An optional stacker is capable of flattening and stacking up to 200 plots.



(7 Compared to any HP Designjet 600/700/800/1000 Printer



HP large black ink cartridge



HP long media roll



0.2 in (5 mm) margins



HP Double Swath Technology

## HP Designjet 4520 Printer series at a glance

### HP Designjet 4520 Printer

- Up to 42 in (1067 mm) wide
- 2400 x1200 dpi maximum resolution
- Two media rolls with long roll support up to 575 ft (175 m)
- Ink supplies of 225 and 400-ml for CMY, 400 and 775-ml for K
- Embedded processor and 608 MB memory upgradeable up to 1120 MB. 160 GB hard disk
- Support for HP-GL/2, HP-RTL, TIFF, JPEG, CALS G4

### HP Designjet 4520ps Printer

All the features of the 4520 model, plus:

- Embedded RIP for Adobe PostScript 3, Adobe PDF 1.5

### HP Designjet 4520 HD-MFP

All the features of the 4520 model, plus:

- Embedded RIP for Adobe PostScript 3, Adobe PDF 1.5
- HP Designjet 4520 Scanner

### Optional accessories

- HP Designjet 4500 Stacker
- HP Designjet 4520 Scanner<sup>4</sup>
- HP Designjet 42 in (1067 mm) Roll Feed Spindle
- HP Designjet 512 MB Memory Upgrade
- HP Designjet High Speed USB 2.0 Card
- HP Jetdirect 630n IPv6 Gigabit Print Server
- HP Jetdirect 635n IPv6/IPsec Print Server
- Serif PosterDesigner Pro for HP
- SCP reprocontrol for HP

### Optional service and support

- HP Installation Services with Network Setup (1 unit)
- HP Next Business Day Onsite Hardware Support, 3 years
- HP Same Day 9x5 Onsite Hardware Support, 3 years
- HP Same Day 13x5 Onsite Hardware Support, 3 years

Ideal for unattended printing of high-quality large-format drawings, graphics, maps, presentations, renders, and posters<sup>1</sup>.

## Full flexibility from the HP Designjet 4520 Printer series



### More functionality with the HP Designjet 4520 HD-MFP

With scan speeds of 3 inches per second color and 10 inches per second black-and-white, 2 D (A1)-size prints in less than 1 minute<sup>8</sup>, and excellent image quality (508 dpi optical resolution and up to 9600 dpi enhanced resolution), the HP Designjet 4520 HD-MFP delivers outstanding copy and scan performance.

The integrated copy system of this Designjet features real-time printer, media, and queue info in the scanner user interface, copy accounting in the printer, and copy job priority capability. Integration with the printer enables excellent copy quality and performance.

An easy-to-use touchscreen, easy color calibration, and easy print settings for printing sets make scanning and copying exceptionally user-friendly.

It is easy to integrate with a wide variety of industry-leading third-party applications such as scan, raster-to-vector conversion, or document management.

This MFP is fully compatible. Easily print scanned documents directly to almost any HP Designjet printer<sup>9</sup>. Built-in scan-to-network capabilities foster productivity with fewer steps. Easily save scanned files in PDF, TIFF, JPEG2000, and DWF file formats.

### HP Designjet 4500 Stacker (optional)

The HP Designjet 4500 Stacker collects up to 200 D (A1) or E (A0) size plots and automatically flattens them, keeping them organized until you can gather them. Print unattended runs during business hours—and get more done—or overnight.

Free up production staff to work on multiple projects at once. The HP Designjet 4500 Stacker handles large black-and-white or color jobs without intervention. Unattended printing allows users to get more done.

Save time and collect your valuable, high-impact output as it prints with the HP Designjet 4500 Stacker. When you're ready to gather your output, it will be organized and waiting for you. Neatly and cleanly collects all sizes and weights of printable media supported by the HP Designjet 4520 Printer series<sup>10</sup>, including over 35 Original HP printing materials from new HP Cockle-free Coated Paper available in 100 g/m<sup>2</sup> and 170 g/m<sup>2</sup>, to new chlorine-free HP Recycled Bond Paper made of 100% recycled base paper, to versatile HP Everyday Adhesive Matte Polypropylene and HP Durable Banner with DuPont™ Tyvek®.

<sup>8</sup> Mechanical printing time. Line drawing printed in Fast mode on HP Bright White Inkjet Paper (Bond). Speed indicated is maximum printer speed.

<sup>9</sup> Fully compatible with HP Designjet 510, 4020, 4520, 5000, 5500, T610, T1120, Z2100, Z3200, Z6100 series products.

<sup>10</sup> Stacker performance may vary depending on the media used.

